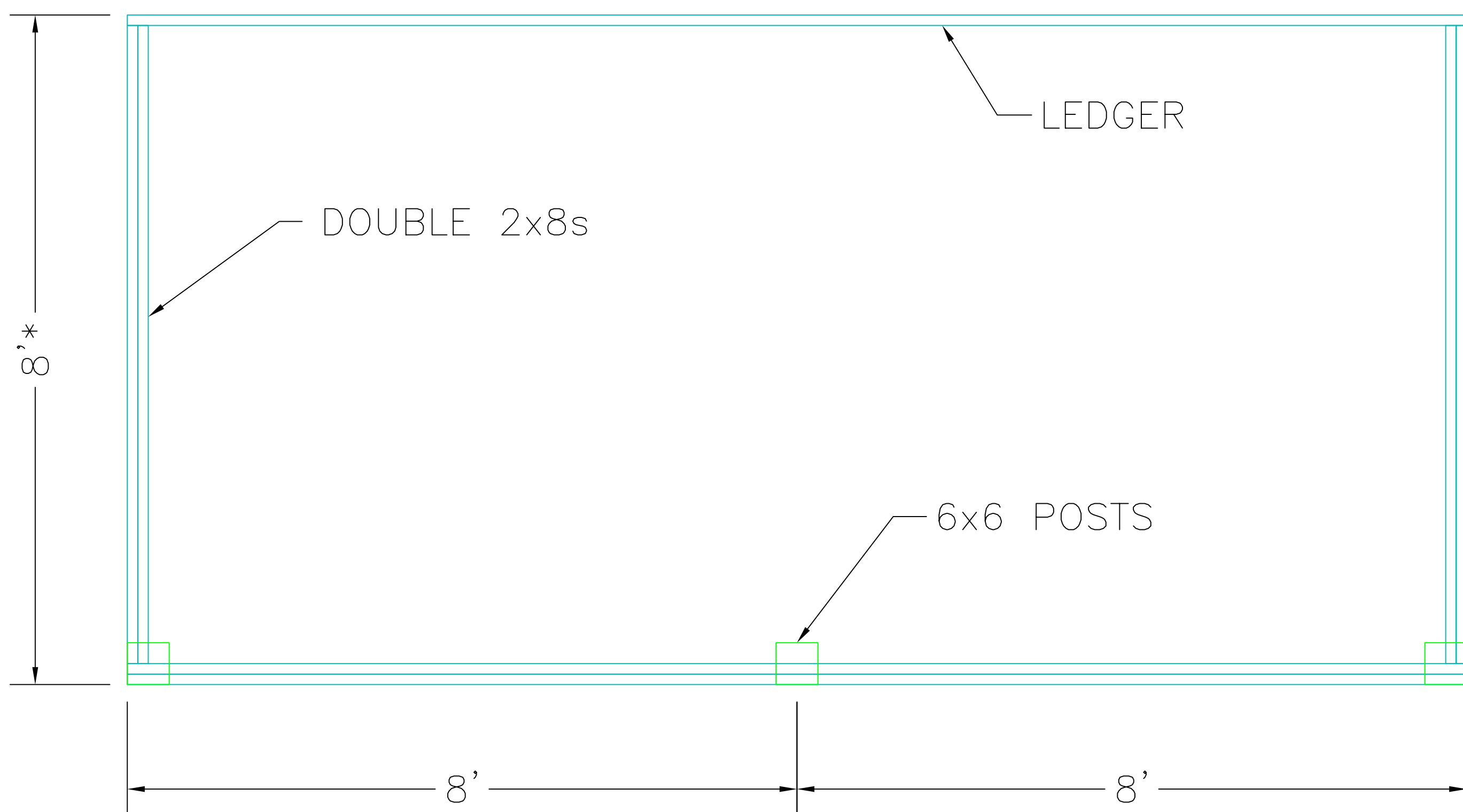
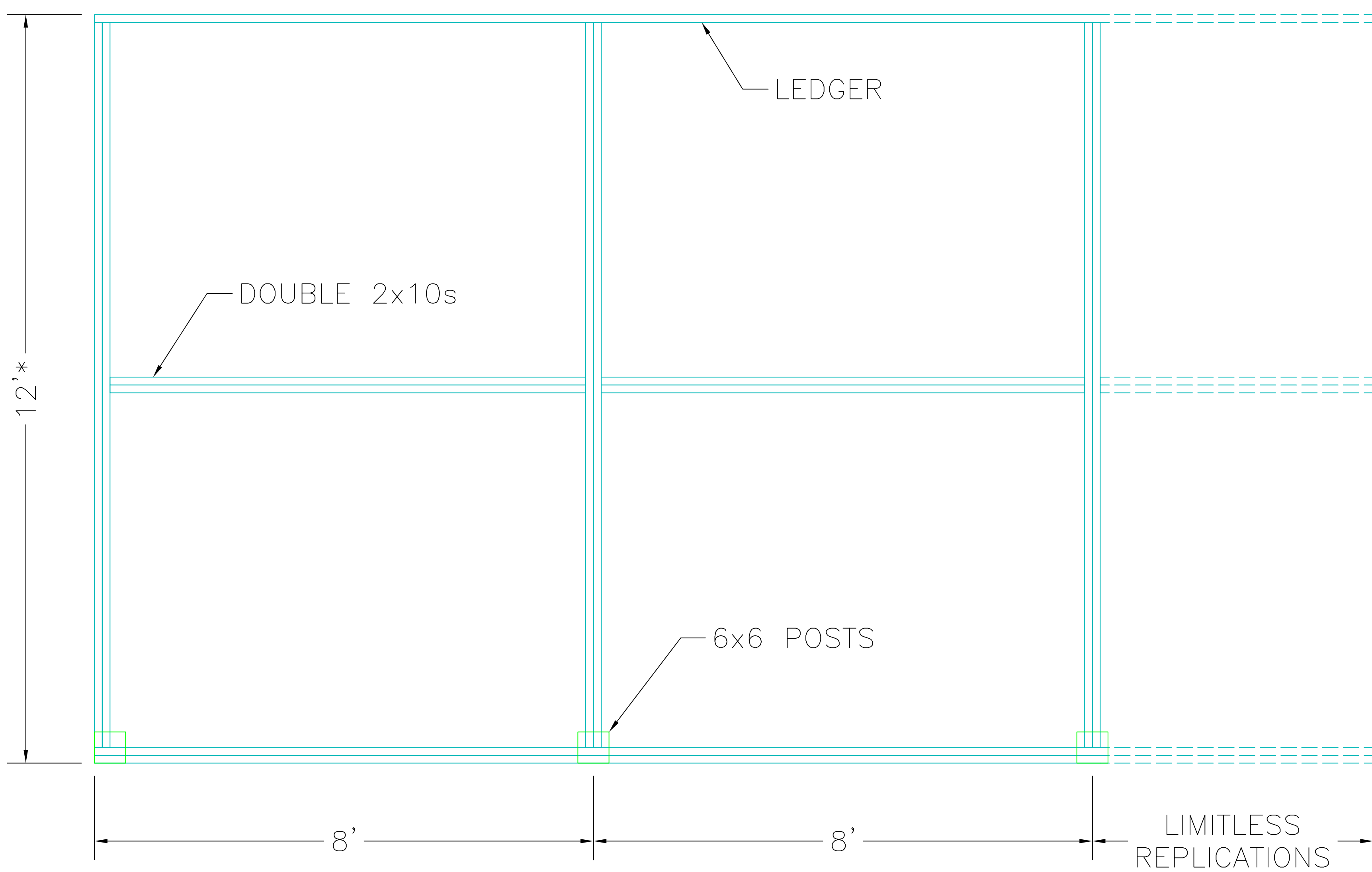


## 8' DECK



## 12' DECK



TYPICAL FRAMING OPTIONS @ 50PSF AND L/240

FRAME SHOULD BE DESIGNED BY A QUALIFIED PROFESSIONAL ENGINEER ONLY

THESE DRAWING PROVIDED FOR REFERENCE ONLY

\* DECREASE FRAME BY 2" AND OVERHANG DRYJOIST IF INSTALLING GUTTERS

DESIGNED BY <b>ML</b>	DATE <b>01DEC2008</b>	CUSTOMER <b>DRYJOIST</b>	VIEW <b>PLAN</b>	DECK TYPE <b>STANDARD</b>	THE INFORMATION CONTAINED IN THIS DRAWING IS THE SOLE PROPERTY OF WAHOO DECKS. ANY REPRODUCTION IN PART OR AS A WHOLE WITHOUT THE WRITTEN PERMISSION OF WAHOO DECKS IS PROHIBITED.	www.wahoodecks.com TF: 877.270.9387 FX: 678.343.2916 PH: 678.343.2317 GAINESVILLE, GA 30507 1604 ATHENS HIGHWAY	<b>wahoo</b> <b>decks</b>
		JOB NAME <b>SAMPLE DECK FRAMES</b>					