

STEP 1: Measure & Pre-Cut

DryJoistEZ panels should be cut to their desired length prior to installation.

Remember when measuring: Unlike wood joists that are cradled by hangers and suspended between the ledger and supporting beam, DryJoistEZ is secured/pinned on-top of these perimeter joists. *See Illustration A*

A two inch (2") overhang is strongly recommended at the header joist to allow water to run off the deck. *See Illustration B*

STEP 2: Measure and Rip Multi-Joist to Create the Start Board

The 4" DryJoistEZ multi-joist serves double duty as the start and finish piece of the deck. *See Illustration C*

An average deck will have two multi-joists per deck. Start your installation by ripping one of the multi-joists to create your starter joist. *See Illustration D*

STEP 3: Fasten Multi-Joist to Frame

Both the 6" main joist and the 4" multi-joist have screw point stops for positioning your self drilling hex head fasteners that came with your materials. *See Illustration E.*

Before securing your fasteners, make sure the 'hook receiver' side of the ripped multi-board is facing toward the inside of the deck so you can attach the next 6" DryJoistEZ to your ripped multi joist. *See Illustration F.*

Use the self-drilling hex head fasteners provided with your system to secure the DryJoistEZ multi joist to the framing. Use the 1-1/2" hex head fasteners for the outside edge of the deck.

On both the starting multi-joist and the finish multi-joist panels, fasten the edges every 24" along the rim joist using the 1-1/2" hex head fasteners.

Before You Begin:

IMPORTANT! Ensure that the ledger board and deck rim boards have been properly secured and are free from all debris such as protruding nails or screws.

DryJoistEZ should be installed perpendicular to the structure, this allows water to flow AWAY from the structure.

Tools and Materials Needed:

- Tape Measure
- Carpenter Square
- Drill & 5/16 Hex Drive Bit
- Safety Glasses
- Miter Saw and Skill Saw
- Carbide Blade: 12"/96 Teeth; 10"/80 Teeth; 7 1/4"/62 Teeth

Illustration A

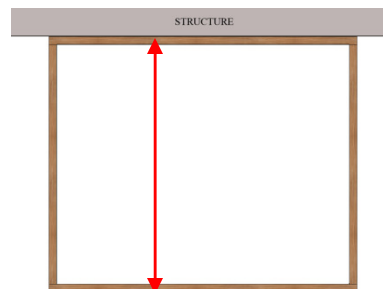


Illustration B

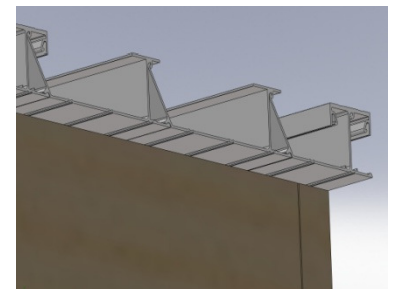


Illustration C

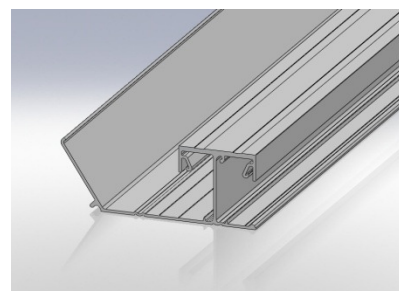


Illustration D

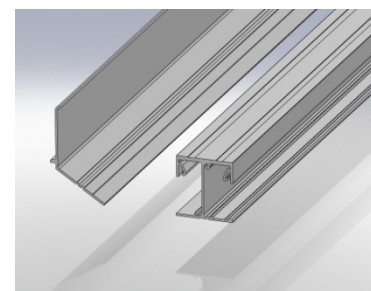
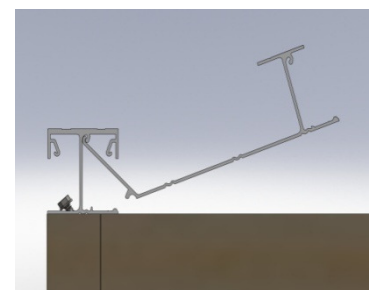


Illustration E



Illustration F



STEP 4: Secure the 6" Main-Joist

Your DryJoistEZ joists have a hook receiver on one edge and a hook on the opposing edge. To install your first 6" main-joist, tilt the 6" joist at an angle and slide the hook edge up into the hook receiver of the 4" multi-joist. *See Illustration G.*

On longer runs, you will need three people, two positioned 2' in from the ends and one in the center. You must perform this operation in unison.

Secure the 6" main joist to the framing of your deck – use 2-1/2" hex head self-drilling fasteners. One fastener should be used at every point where DryJoistEZ passes over a joist or beam. *See Illustration H*

STEP 5: Continue with Install

After the first 6" main-joist has been installed and fastened down, continue installing the remaining joists by repeating either 6" main-joists or 4" multi-joists profiles. {refer to Graphic: Component Interaction}

STEP 6: Outer Multi-Joist

Install a 4" multi-joist as the end/edge profile to give the substructure a finished appearance.

Installation is identical to 6" panels with the exception of the fastening method – use 1-1/2" hex head self-drilling fasteners. The fasteners should be driven at an angle when securing the outer flange to the rim joist. *See Illustration I*

STEP 7: Top Mount Railing

By installing rail anchors, most standard top-mount rail posts can be integrated into DryJoistEZ's structural design – no penetration to the waterproof barrier is necessary to add railing. *See Illustrations J&K*

Slide the rail anchors into the water channels before you install your deck boards. After the deck's surface boards have been installed, fasten your rail mounts using the #14 stainless steel 1-1/2" self-drilling fasteners. No pre-drilling of rail anchors is required.

Alternatively, two multi-joists can also be used to mount railing. Never attach rail posts to 6" main-joists without using a rail mount. *See Illustration K*

Illustration G

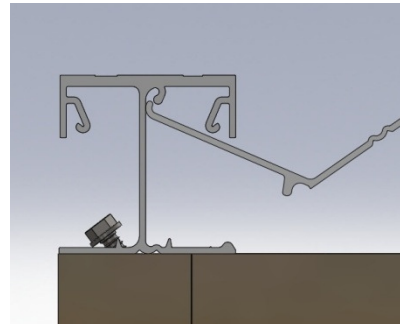


Illustration H



Illustration I

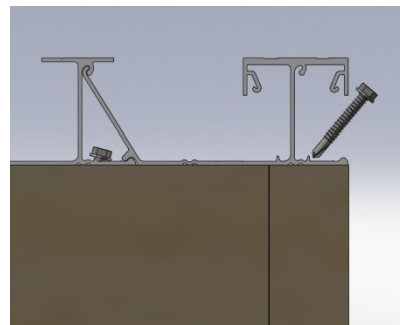


Illustration J

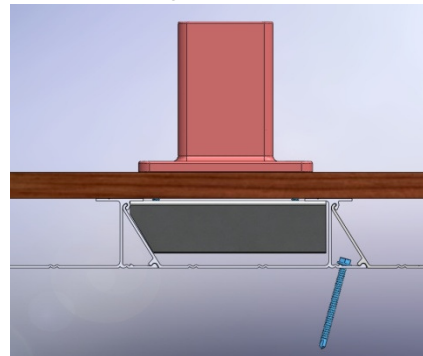
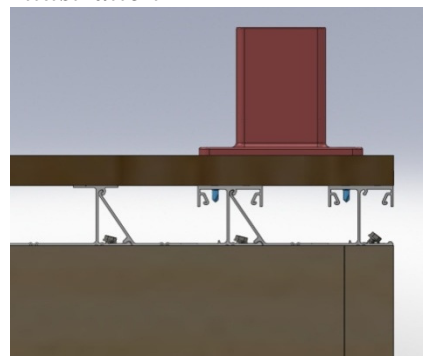
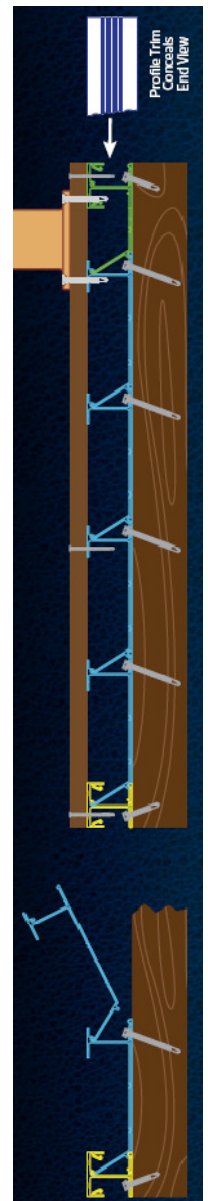


Illustration K



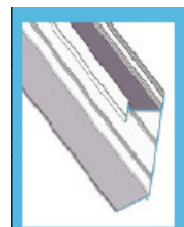
DryJoistEZ: Component Interaction



4" DryJoistEZ
Multi Joist
Ripped



4" DryJoistEZ
Multi JOIST



6" DryJoistEZ